

VISTA



SOUND
INSULATION



MANUAL



THIN



GLASS



FLOOR GUIDED
OPERABLE WALL
PIVOTING WALL
SLIDING DOOR



PCTS HEADQUARTERS, PORTUGAL - VISTA



EDMUND HOUSE, UNITED KINGDOM - VISTA



OFFICE SOLUTIONS, PORTUGAL - VISTA

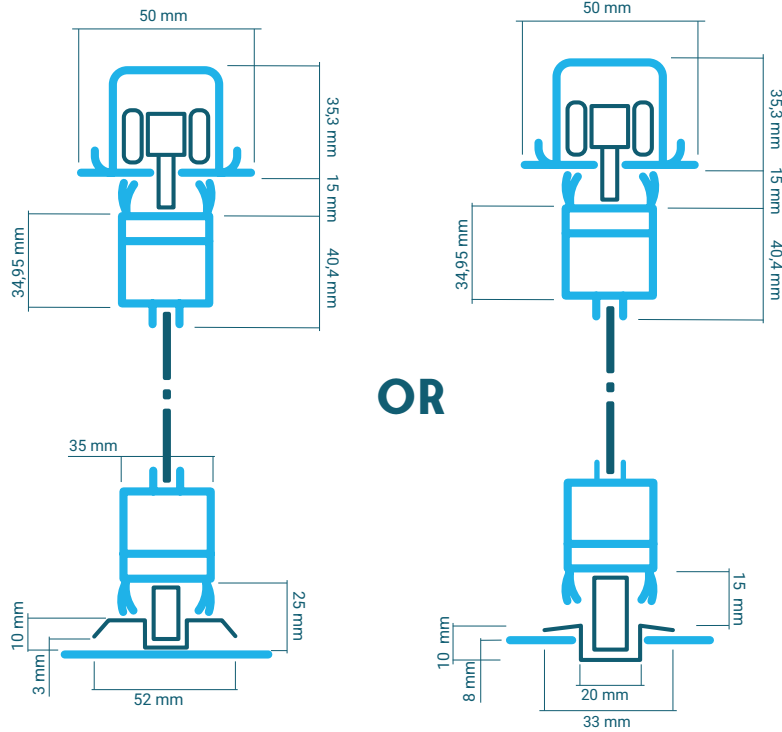


RESIDENTIAL SOLUTION, PORTUGAL - VISTA



OFFICE SOLUTION, PORTUGAL - VISTA

FLOOR GUIDED

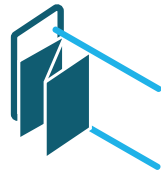


OR

CENTRE FOLDING

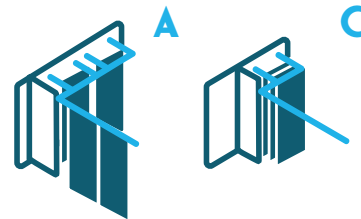
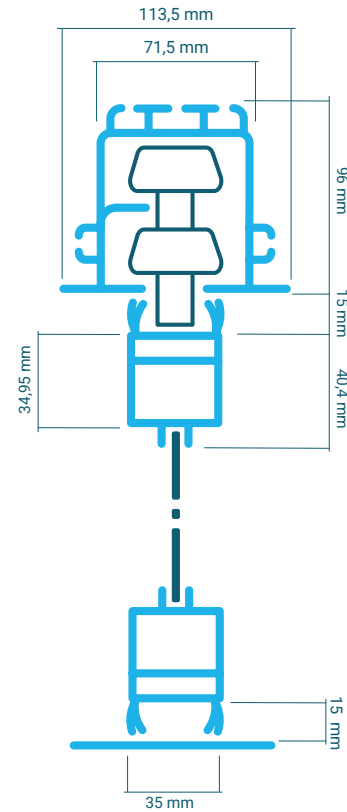


SIDE STACKING



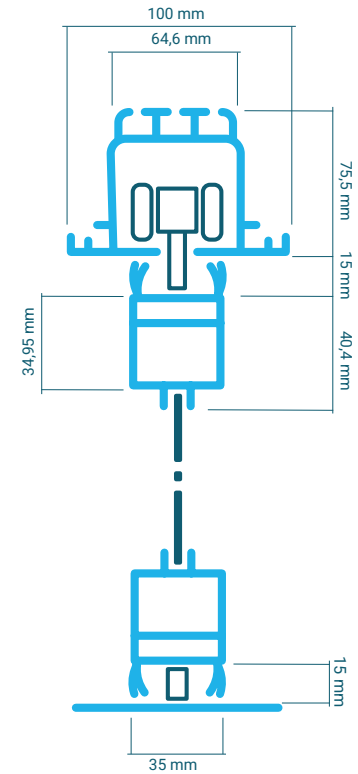
Continuous Wall, interconnected by hidden hinges, with its weight suspended and guided by the floor track. The floor track can be embedded or protruded.

OPERABLE WALL



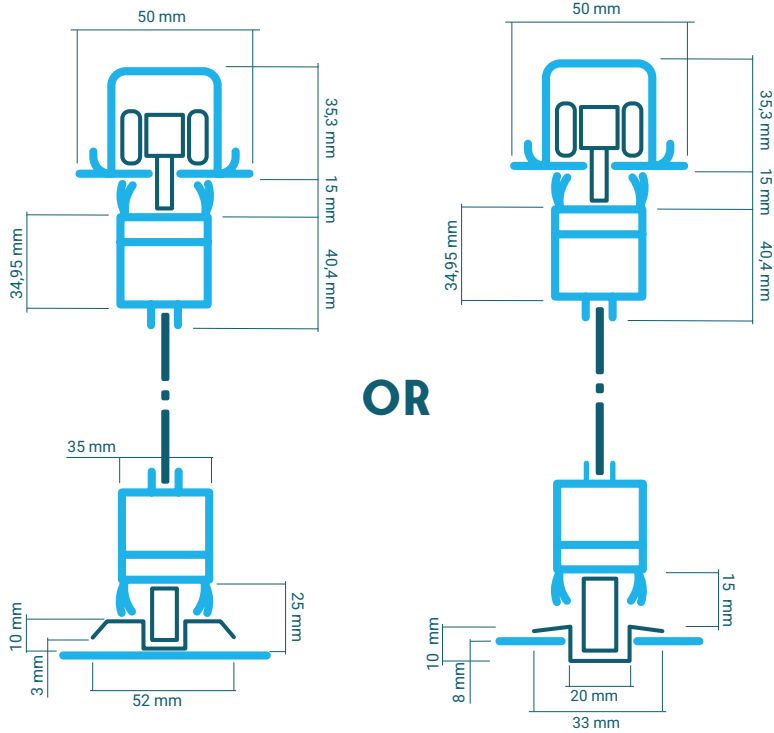
Suspended independent twin suspension, without floor track. Manual floor lock/latch system.

PIVOTING WALL



Single suspension independent panels, without floor tracks. Manual floor lock/latch system.

SLIDING DOOR

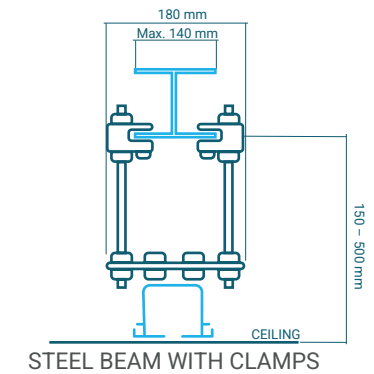
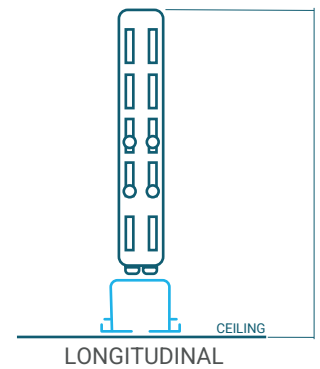
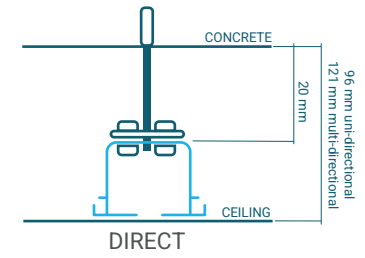
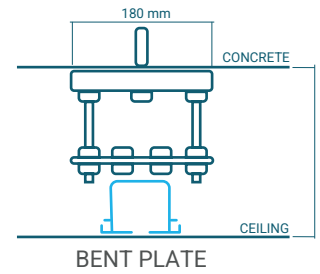
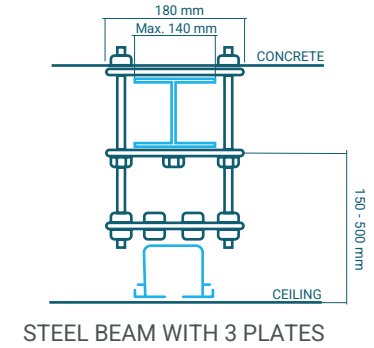
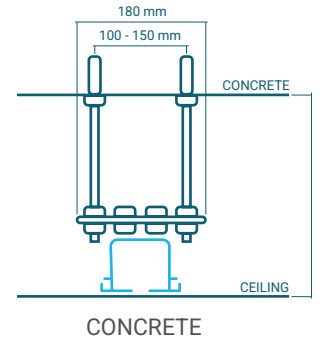


OR



Sliding door with light and thin structure. Great solution for small spaces. The floor track can be embedded or protruded.

SUSPENSIONS



FINISHES

Powder Coating

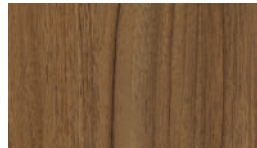


RAL 9005 - JET BLACK
Textured

Sublimation

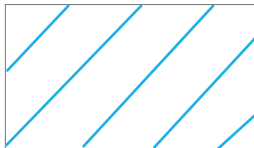


NATURAL NEBRASKA OAK



NATURAL DIJON WALNUT

Glass



8 mm

Note: Other profiles and glass painting upon request.

TECHNICAL DATA TABLE

		FLOOR GUIDED	OPERABLE WALL	SLIDING DOOR	PIVOTING WALL				
Dimensions	Thickness in mm	35	35	35	35				
	Width in mm	500 - 900	500 - 900	500 - 900	500 - 900				
	Height in mm (Max.)	3000	3000	3000	3000				
Construction	Aluminium Profiles	●	●	●	●				
	Positive & Negative Aluminium Profiles								
Operation	Manual	●	●	●	●				
	Semi Automatic								
	Full Automatic								
Floor Track		●		●					
Technical Features	Soundproofing to ISO 10140-2:2010*	Rw (dB)	Density (kg/m ²) 8mm	Rw (dB)	Density (kg/m ²) 8mm	Rw (dB)	Density (kg/m ²) 8mm	Rw (dB)	Density (kg/m ²) 8mm
		33	25	33	25	33	25	33	25
Door Handles	Enclosed Handle	●	●	●	●				
	Pull Handle	●	●	●	●				
	Extra Handle	●	●	●	●				
Finishes	Powder Coating	●	●	●	●				
	HPL								
	MFC								
	MDF								
	Glass	8 mm	8 mm	8 mm	8 mm				
Special Finishes		●	●	●	●				
Electrically Controlled Blinds									
Switchable Glass									
Frosted Glass		●	●	●	●				

*Value obtained in a laboratory test in a controlled environment, in accordance with ISO 10140-2:2010 & ISO 717-1:2020.

