

# ALMA



SOUND  
INSULATION



FIRE RATING:  
EI2.30



AUTOMATIC



PRIVATE



SEVERAL FINISHES



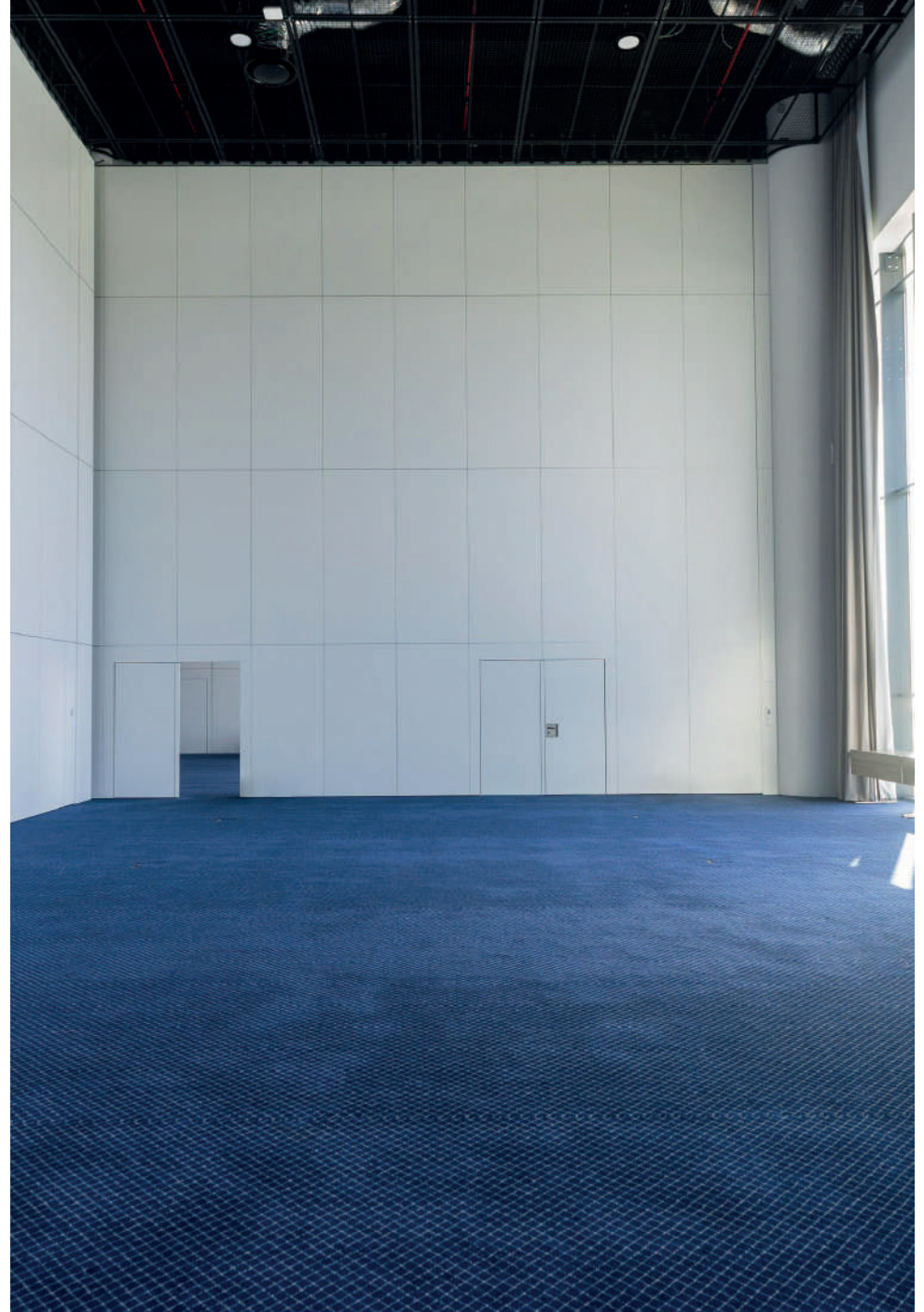
STANDARD PANEL  
TELESCOPIC  
SINGLE INSET PASSDOOR  
DOUBLE INSET PASSDOOR  
FULL-HEIGHT PASSDOOR  
SEGMENTED CURVED



CHARCO HOTEL, URUGUAY - ALMA



MICROSOFT, PORTUGAL - ALMA



TIVOLI, PORTUGAL - ALMA



ARIANE, FRANCE - ALMA



MICROSOFT, USA - ALMA



**BPI, PORTUGAL - ALMA**



**QUINTA DOS LAGOS, PORTUGAL - ALMA**



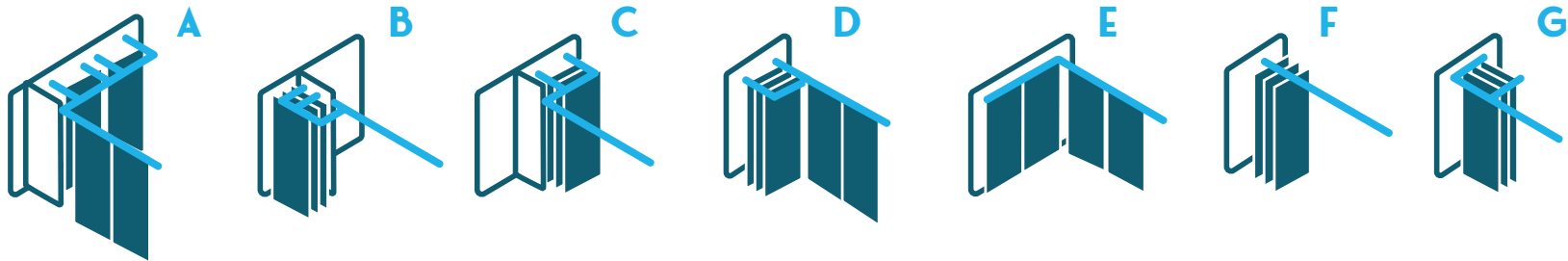
**HOTEL SARAY, SPAIN - ALMA**



URALCHEM, RUSSIA - ALMA

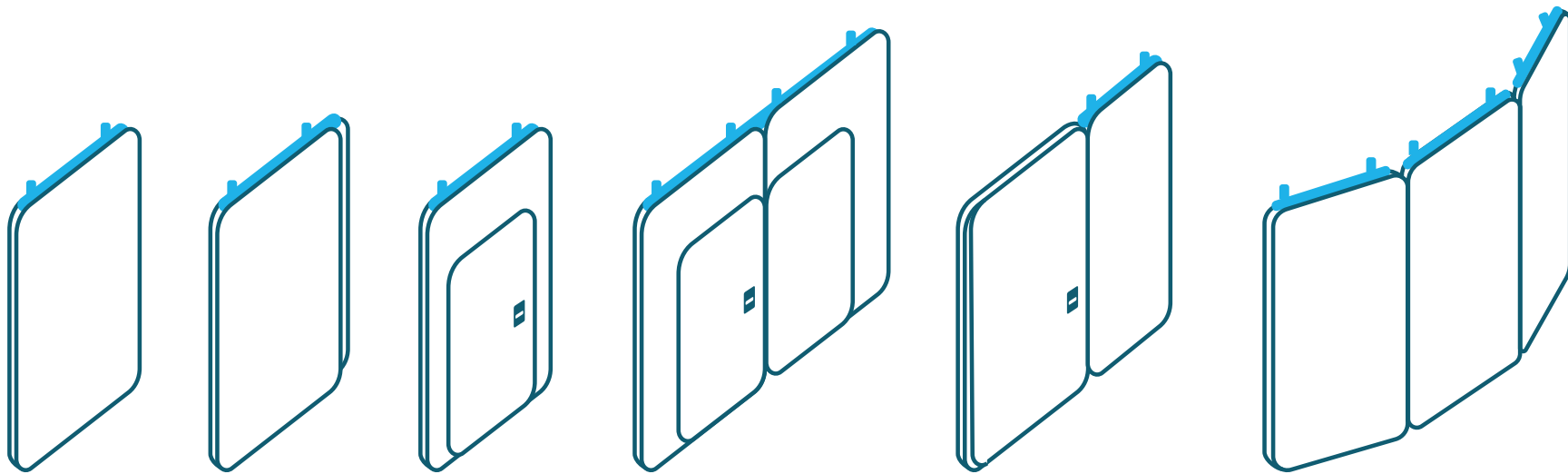
---

## STACKING SYSTEMS



---

## PANEL'S TYPE



STANDARD  
PANEL

TELESCOPIC

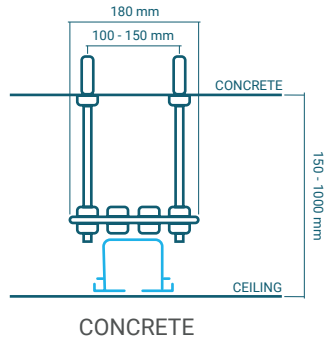
SINGLE INSET  
PASSDOOR

DOUBLE INSET  
PASSDOOR

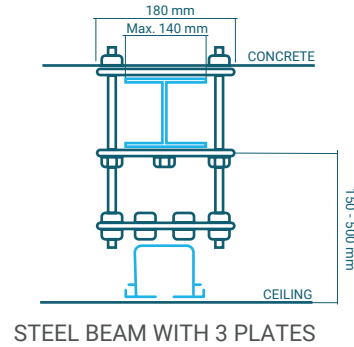
FULL-HEIGHT  
PASSDOOR

SEGMENTED  
CURVED

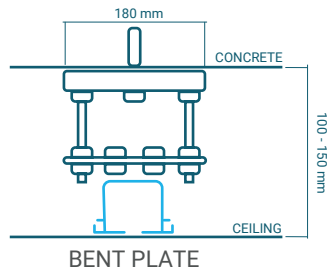
# SUSPENSIONS



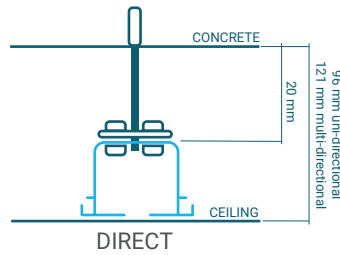
CONCRETE



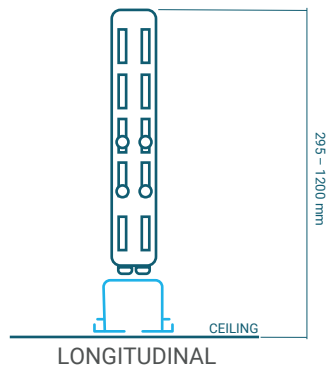
STEEL BEAM WITH 3 PLATES



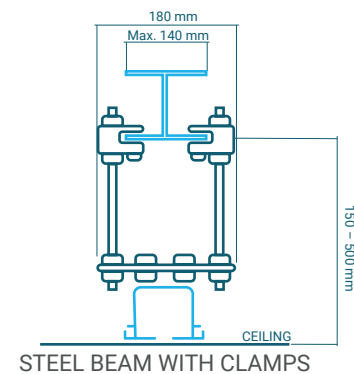
BENT PLATE



DIRECT

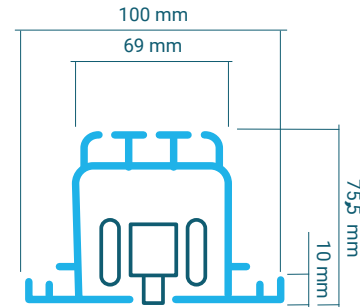


LONGITUDINAL



STEEL BEAM WITH CLAMPS

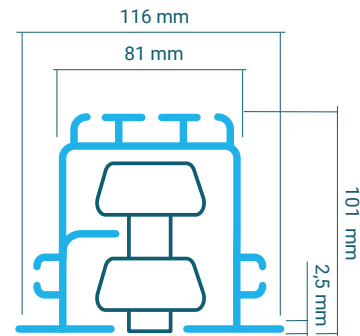
# CEILING TRACK



## TRACK TYPE UD

### Uni-Directional

Aluminium track profiles extruded from architectural grade 6063-T6 alloy.  
Load bearing capacity: 358Kg per panel.

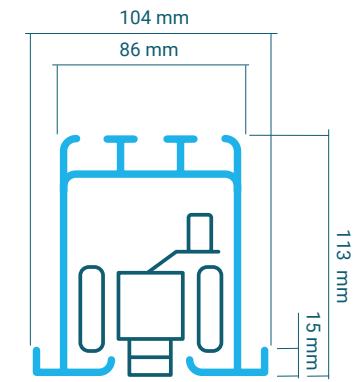


## TRACK TYPE MDS

### Standard

### Multi-Directional

Aluminium track profiles extruded from architectural grade 6063-T6 alloy.  
Load bearing capacity: 453Kg per panel.



## TRACK TYPE MDH

### Heavy Duty

### Multi-Directional

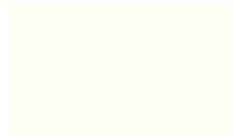
Aluminium track profiles extruded from architectural grade 6063-T6 alloy.  
Load bearing capacity: 850Kg per panel.

# FINISHES

## MFC



U999 ST7 - Black



W980 ST7 - Platinum White



U961 ST7 - Graphite Grey



U708 ST9 - Light Grey



U156 ST9 - Sand Beige



H1277 ST9 - Light  
Lakeland Acacia



H1732 ST9 - Sand Birch



H1910 ST9 - Willow Beech



H3840 ST9 - Natural  
Mandal Maple

## HPL



WRITABLE WHITE BRIGHT

Note: Colours may deviate slightly from those shown. Material available for immediate delivery from the supplier. For other options please refer to FINISHES COLLECTION.

# TECHNICAL DATA TABLE

		STANDARD PANEL		FIXED TELESCOPIC JAMB		TELESCOPIC		SINGLE INSET PASSDOOR		DOUBLE INSET PASSDOOR		FULL-HEIGHT PASSDOOR	
Dimensions	Thickness in mm	116	122	116	122	116	122	116	122	116	122	116	122
	Width in mm	800 - 1300		> 200		800 - 1300		1200 / 1250 / 1300		2302		1010	
	Clear Opening Width in mm							765 / 815 / 865				815	
	Height in mm (Max.)	11000		11000		11000		11000		11000		11000	
Construction	Aluminium Profiles												
	Positive & Negative Aluminium Profiles	●		●		●		●		●		●	
Operation	Manual	●		●		●		●		●		●	
	Semi Automatic	●		●		●		●		●		●	
	Full Automatic	●		●		●		●				●	
Floor Track													
Technical Features	Soundproofing to ISO 10140-2:2010*	Rw (dB)	Density (kg/m <sup>2</sup> )	Rw (dB)	Density (kg/m <sup>2</sup> )	Rw (dB)	Density (kg/m <sup>2</sup> )	Rw (dB)	Density (kg/m <sup>2</sup> )	Rw (dB)	Density (kg/m <sup>2</sup> )	Rw (dB)	Density (kg/m <sup>2</sup> )
		42	39	42	39	42	39	42	39	42	39	42	39
		45	40	45	40	45	40	45	40	45	40	45	40
		47	45	47	45	47	45	47	45	47	45	47	45
		50	50	50	50	50	50						
		54	55	54	55	54	55						
Door Handles	Enclosed Handle							●		●		●	
	Pull Handle												
	Extra Handle							●		●		●	
Finishes	Powder Coating	●		●		●		●		●		●	
	HPL	●		●		●		●		●		●	
	MFC	●		●		●		●		●		●	
	MDF	●		●		●		●		●		●	
	Glass												
Special Finishes	●		●		●		●		●		●		
Electrically Controlled Blinds													
Switchable Glass													
Frosted Glass													

\*Value obtained in a laboratory test in a controlled environment, in accordance with ISO 10140-2:2010 & ISO 717-1:2020.